

# Roll 130

01001203-xxx OLI-1



\*Photo for illustrative purposes

## External dimensions (L x l x h)

600 x 715x 800 mm

## Internal dimensions\* (L x l x h)

420 x 520 x 620 mm

## Internal volume

138 L

## Empty weight

30 Kg

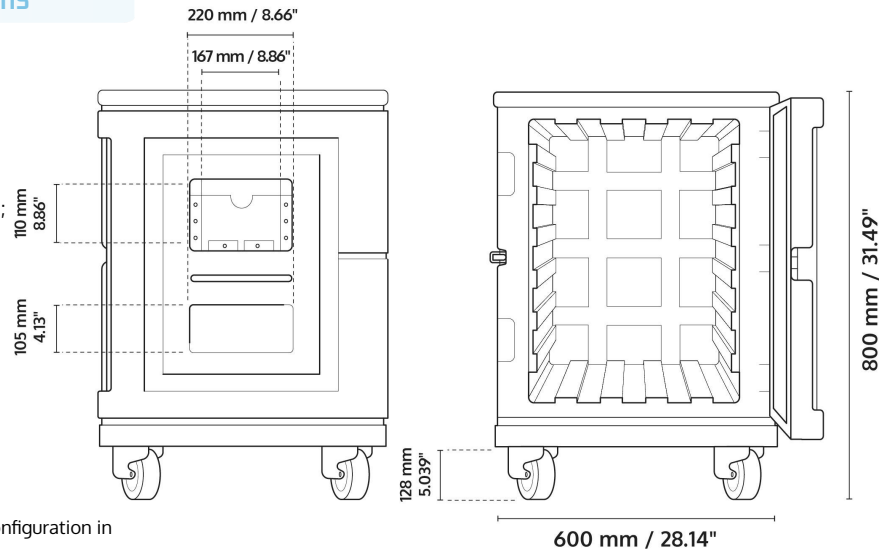
## Cold source - advices

**Eutectic plate** : up to 2 eutectic plates TOP130 all temperature according to the existing Olivo standard

## Insulated container standard specifications

### Box & door :

- **Monobloc wall** in UV-resistant food-grade polyethylene ;
- **Injected polyurethane foam** ;
- **Monobloc silicone frame seal** ;
- **Sealed lateral toggle closure**, yellow zinc coating ;
- **115° door opening** ;
- **8 side-handling handles** rotationally molded into the mass ;
- **Mass-produced boss** for stacking ;



## Accessory options

**Removable caster base** : made of galvanized steel, rolling configuration in accordance with the existing Olivo standard ;

## Customization

**Signage** : heat-sealed adhesive – ready-to-print file provided by the client.

**Tracking** : temperature/GPS tracking solution.

**Logo molded into the mass.**

**Branding marking** : engraved aluminum plate 150 x 90 mm

\* Average value for reference purposes



Chilled



Frozen



Ambient



## Insulated container properties

Thermal	Coef K.	0.38 W/m2.°C
	ATP category	IR
	Temperature resistance	-80°C/+70°C
	Double wall thickness	≈ 90 mm
Mechanical	Internal convection grooves	
	Dynamic load capacity	480 Kg
	Static load capacity	960 Kg
Double-walled, rotational-molded and grooved		

■ Update 26/10/2023