

BAC 130

01001202-xxx OLI-1



*Photo for illustrative purposes

Insulated container standard specifications

Box & lid :

- Monobloc wall in UV-resistant food grade polyethylene ;
- Injected polyurethane foam ;
- Monobloc silicone frame seal ;
- Sealing frontal toggle closure, yellow zinc coating ;
- Lid opening at 215°;
- 8 side-handling handles rotationally molded into the mass ;
- Mass-produced boss for stacking ;
- Maximum capacity of storable pellets : ≈ 110 kg

Accessory options

Removable galvanized steel caster base, rolling configuration according to the existing Olivo standard, sandwich polyamide wheel diameter 100 mm.

Customization

Signage : heat-sealed adhesive – ready-to-print file provided by the client.

Tracking : temperature/GPS tracking solution.

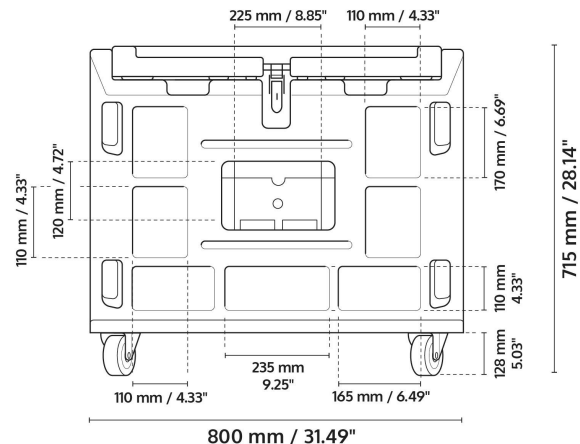
Logo molded into the mass.

Branding marking : engraved aluminum plate 150 x 90 mm

Cold source

Eutectic plates : up to 3 eutectic plates TOP130 all temperature according to the existing Olivo standard.

Dry ice drawer : capacity 8L, made of aluminum.



Insulated container properties

Coef K.	0.38 W/m2.°C
ATP category	IR
Temperature resistance	-80°C/+70°C
Double wall thickness	≈ 80 mm
Internal convection grooves	

Dynamic load capacity	480 Kg
Static load capacity	960 Kg

Double-walled, rotational-molded and grooved

Thermal

Mechanical



Olivo
cold logistics

1 bld des Mineurs 42230 Roche-la-Molière / www.olivo.eu



Update 26 /10/2023