

BAC 55

01001070-xxx OLI-1



**Photo for illustrative purposes*

External dimensions [L x l x h]

600 x 500 x 580 mm

Internal dimensions* [L x l x h]

415 x 315 x 410 mm

Internal volume

53 L

Empty weight

17 Kg

Logistical specifications

Quarter ISO pallet 1000 x 1200 mm

** Average value for reference purposes*



Chilled



Frozen



Ambient

olivo
cold logistics

1 bld des Mineurs 42230 Roche-la-Molière / www.olivo.eu

Insulated container standard specifications

Box & Lid :

- **Monobloc wall** in UV-resistant food grade polyethylene ;
- Injected polyurethane foam ;
- **Monobloc silicone frame seal** ;
- **Sealing frontal toggle closure**, yellow zinc coating ;
- **Lid opening at 115°** ;
- **2 side-handling handles** rotationally molded into the mass ;
- **Mass-produced boss** for stacking ;
- Maximum capacity of storable pellets : \approx 40 kg.

Accessory options

Removable galvanized steel caster base, rolling configuration according to the existing Olivo standard, sandwich polyamide wheel diameter 100 mm.

Customization

Signage : heat-sealed adhesive – ready-to-print file provided by the client.

Tracking : temperature/GPS tracking solution.

Logo molded into the mass.

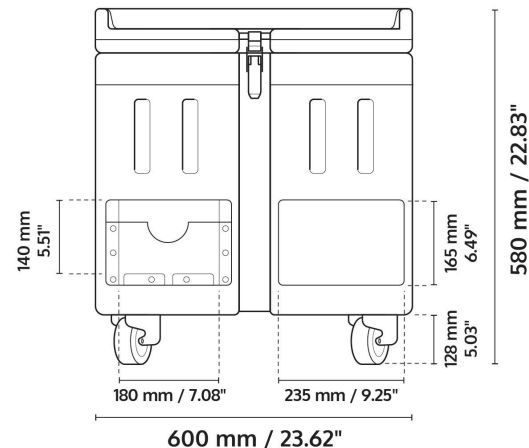
Branding marking : engraved aluminum plate 150 x 90 mm

Cold source

ADVICES

Eutectic plate : up to 2 eutectic plates TOP55 all temperature according to the existing Olivo standard.

Dry ice drawer : capacity of 6L, made of aluminum.



Insulated container properties

Coef K.	0.39 W/m ² .°C
ATP category	IR
Temperature resistance	-80°C/+70°C
Double wall thickness	\approx 90 mm
Internal convection grooves	

Dynamic load capacity	480 Kg
Static load capacity	960 Kg

Double-walled, rotational-molded and grooved

For advice on best practices for use and thermal performance, contact the Olivo team / contact@olivo.eu



■ Update 26 /10/2023