

BAC 130

01001202-xxx OLI-1



*Photo for illustrative purposes

Insulated container standard specifications

Box & lid :

- Monobloc wall in UV-resistant food grade polyethylene ;
- Injected polyurethane foam ;
- Monobloc silicone frame seal ;
- Sealing frontal toggle closure, yellow zinc coating ;
- Lid opening at 215°;
- 8 side-handling handles rotationally molded into the mass ;
- Mass-produced boss for stacking ;
- Maximum capacity of storable pellets : ≈ 110 kg

Accessory options

Removable galvanized steel caster base, rolling configuration according to the existing Olivo standard, sandwich polyamide wheel diameter 100 mm.

Customization

Signage : heat-sealed adhesive – ready-to-print file provided by the client.

Tracking : temperature/GPS tracking solution.

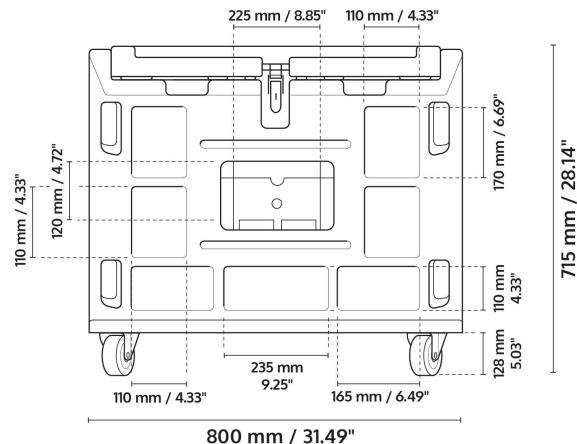
Logo molded into the mass.

Branding marking : engraved aluminum plate 150 x 90 mm

Cold source

Eutectic plates : up to 3 eutectic plates TOP130 all temperature according to the existing Olivo standard.

Dry ice drawer : capacity 8L, made of aluminum.



Insulated container properties

Coef K.	0.38 W/m2.°C
ATP category	IR
Temperature resistance	-80°C/+70°C
Double wall thickness	≈ 80 mm
Internal convection grooves	

Dynamic load capacity	480 Kg
Static load capacity	960 Kg

Double-walled, rotational-molded and grooved

For advice on best practices for use and thermal performance, contact the Olivo team / contact@olivo.eu

Thermal

Mechanical



Update 26 /10/2023

External dimensions (L x l x h)

800 x 600 x 715 mm

Internal dimensions* (L x l x h)

620 x 420 x 520 mm

Internal volume

132 L

Empty weight

30 Kg

Logistical specifications

Half-Euro pallet 600 x 800 mm

* Average value for reference purposes



Chilled



Frozen



Ambient



1 bld des Mineurs 42230 Roche-la-Molière / www.olivo.eu