

# BOX 34

010041xx-



\*Photo for illustrative purposes

## External dimensions (L x l x h)

555 x 360 x 331 mm

## Internal dimensions (L x l x h)

1490 x 300 x 255 mm

## Internal volume

34 L

## Empty weight

1,5 Kg

## Insulated container standard specifications

### Box & lid :

- Monobloc wall made of expanded food-grade polypropylene ;
- Removable lid with positioning mesh for eutectic plate ;
- 2 molded-in-side-handling grips ;

## Customization

**Signage** : heat-sealed adhesive – ready-to-print file provided by the client.

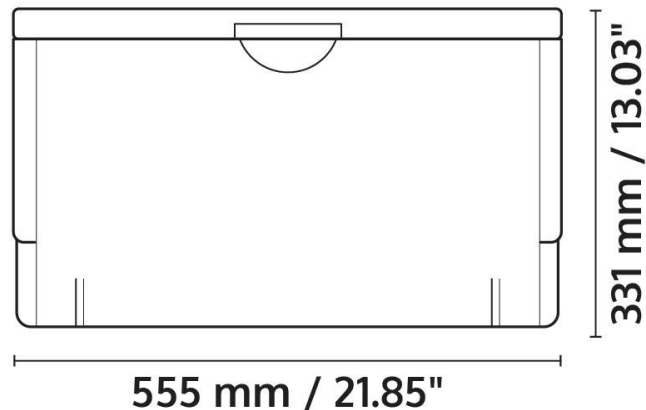
**Tracking** : temperature/GPS tracking solution

**Logo molded into the mass**

## Cold source

**Eutectic plate** : 1 eutectic plate TOP64 all temperature according to the existing Olivo standard.

**SiberCity** : lid with mixed dry ice injection, suitable for both chilled and frozen.



## Insulated container properties

Thermal

Temperature resistance  
Double wall thickness

-80°C/+70°C  
≈ 35 mm

Mechanical

Dynamic load capacity  
Static load capacity

-  
-

Double-walled, rotational-molded and grooved

For advice on best practices for use and thermal performance, contact the Olivo team / [contact@olivo.eu](mailto:contact@olivo.eu)



Chilled

Frozen

Ambient